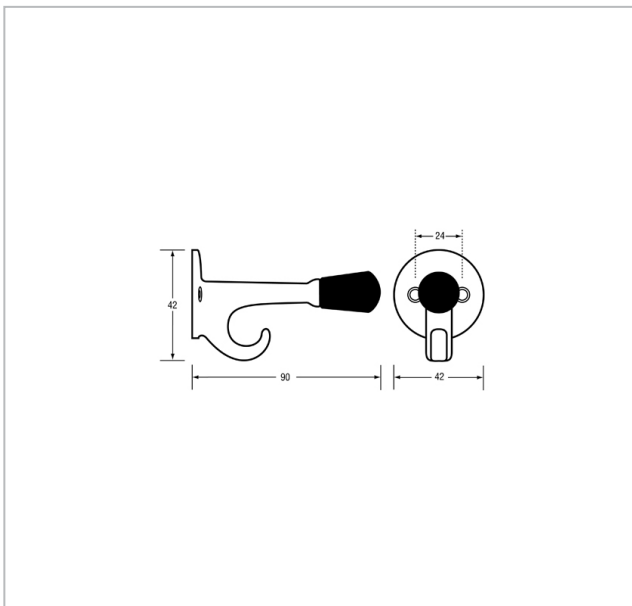


## 102 Coat Hook

### SPECIFICATIONS

<b>Material</b>	Diecast Zinc, Alloy ZP3 Rubber Bumper
<b>Finish</b>	Satin Chrome Plated
<b>Mounting</b>	Screw Fix
<b>Dimensions</b>	42x42x90mm
<b>Note</b>	* This unit is accessible compliant when installed in accordance with AS1428.1. guidelines.

### SUITABLE APPLICATIONS



The photographs and line drawings of the products presented above are representational only.  
 Metlam Australia Pty Ltd reserves the right to, and from time to time, make changes and improvements in design and dimensions.